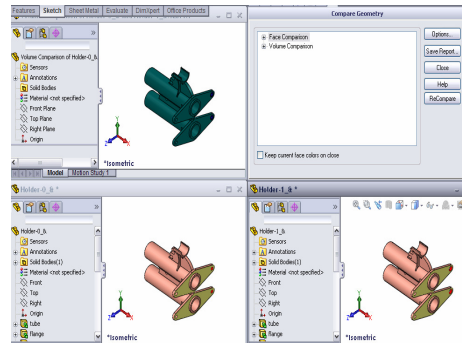
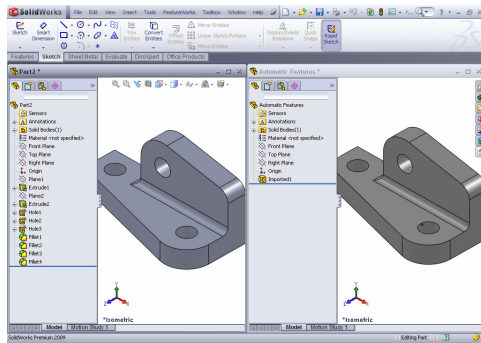


SolidWorks 2010 CAD PRODUCTIVITY TOOLS

Objective: This course will focus on the three add-in tools to improve productivity during the design modeling tasks. The three add-in tools are: -

- FeatureWorks – an intelligent tool to recognize basic features for imported solid models.
- SolidWorks Utilities – unique tool to compare 2 similar models designed in SolidWorks. A customized HTML reporting to highlight on feature and geometry comparison. Furthermore other tools will be discussed such as creating simplified configuration as well as analyzing tools for geometry and thickness analysis
- SolidWorks Toolbox – a collection of standard parts such as bearing, nut, washer, grouped by International Standard. Furthermore, other tools will be discussed such as Groove creation tool as well as Beam calculator.



TARGET AUDIENCE

- ✓ R&D engineer
- ✓ Product designer or engineer
- ✓ Application engineer
- ✓ Industrial engineer

METHODOLOGY

Practical case study models using computers, lecturing, discussions and case studies

PREREQUISITE

To ensure a consistent learning experience for all students, participants should have:

- ✓ **Mechanical design experience**
- ✓ **Experience with the Windows™ operating system.**
- ✓ **Basic understanding of part design and drafting**
- ✓ **Attended SW Essential Course**

DURATION – 1 DAY

PETALING JAYA

22A, Jalan PJS 1/46
46150 Petaling Jaya

Selangor
Tel: + 60 3 – 7783 6866
Fax: + 60 3 – 7781 1185

PENANG

68A Jalan Prai Jaya 4
Bandar Prai Jaya, 13700 Prai

Penang
Tel : + 60 4 – 399 5571
Fax : + 60 4 – 399 5572

JOHOR

11-A, Jalan Jati 2, Taman Nusa
Bestari Jaya Bandar Nusa
Jaya

81300 Skudai, Johor
Tel: + 60 7 – 512 7978
Fax: + 60 7 – 512 2162



PETALING JAYA

22A, Jalan PJS 1/46
46150 Petaling Jaya

Selangor

Tel: + 60 3 – 7783 6866
Fax: + 60 3 – 7781 1185

PENANG

68A Jalan Prai Jaya 4
Bandar Prai Jaya, 13700 Prai

Penang

Tel : + 60 4 – 399 5571
Fax : + 60 4 – 399 5572

JOHOR

11-A, Jalan Jati 2, Taman Nusa
Bestari Jaya Bandar Nusa
Jaya

81300 Skudai, Johor

Tel: + 60 7 – 512 7978
Fax: + 60 7 – 512 2162