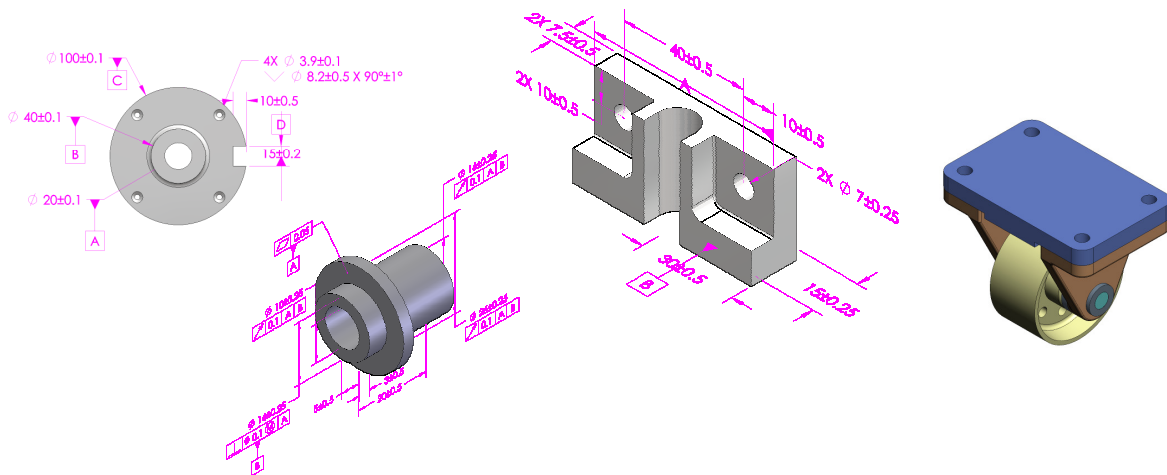


Geometric, Dimensioning & Tolerance (GD&T) in SolidWorks

Objective: This course will introduce the participants to fundamental GD&T principles and evaluate machined parts for assembly form & fit. This will include: -

- Learn about the fundamental of geometric, dimensioning and tolerance, (GD&T)
- Understand about the basic functions involved in a CAD system.
- Apply different dimensioning schemes such as size & location dimension, datum and geometric tolerance.
- Apply the auto-dimensioning scheme for GD&T and check for complete definition of the manufacturing product.
- Understand the basic flow chart involved for Stack-up analysis; TolyAnalyst.



TARGET AUDIENCE

- ✓ R&D engineer
- ✓ Product designer or engineer

PREREQUISITE

To ensure a consistent learning experience for all students, participants should have:

- ✓ **Mechanical design experience**
- ✓ **Experience with the Windows™ operating system.**
- ✓ **Attended SW Essentials Course**

DURATION – 1 DAY

METHODOLOGY

Practical case study models using computers, lecturing, discussions and case studies

PETALING JAYA

22A, Jalan PJS 1/46
46150 Petaling Jaya
Selangor
Tel: + 60 3 – 7783 6866
Fax: + 60 3 – 7781 1185

PERAK

63, Jalan Perindustrian Silibin 1
Kawasan Perindustrian Silibin
30100 Ipoh, Perak
Tel: + 60 5 – 527 3133
Fax: + 60 5 – 527 3163

PENANG

68A, Jalan Perai Jaya 4
13700 Prai
Penang
Tel: + 60 4 – 399 5571
Fax: + 60 4 – 399 5572

JOHOR

11-A, Jalan Jati 2, Taman Nusa
Bestari Jaya Bandar Nusa Jaya
81300 Skudai, Johor
Tel: + 60 7 – 512 7978
Fax: + 60 7 – 512 2162