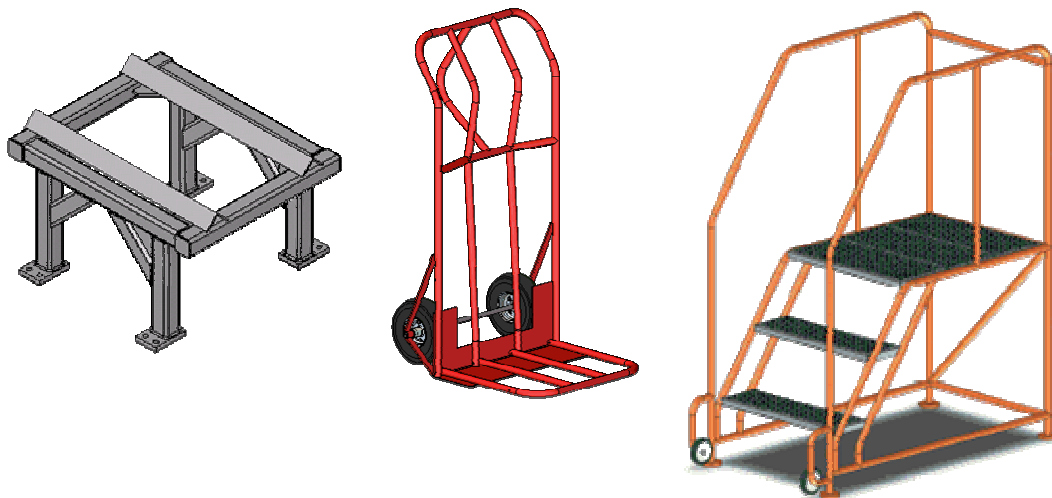


SOLIDWORKS 2010 WELDMENTS

Objective: SolidWorks Weldments course will discuss the modeling techniques for creating complete structural design. This will include: -

- Modeling an automation conveyer frame utilizing the different structural members such as square tube, angle iron and etc.
- Learn to create curved structural member commonly design for hand truck model
- Create detail technical drawings documenting the product design intent such as structural cut list table
- Incorporate the basic mechanism for the hand truck model design intent.



TARGET

- ✓ R&D engineer
- ✓ Product designer or engineer
- ✓ Application engineer
- ✓ Industrial engineer

PREREQUISITE

To ensure a consistent learning experience for all students, participants should have:

- ✓ **Mechanical design experience**
- ✓ **Experience with the Windows™ operating system.**
- ✓ **Basic understanding of part design and drafting**
- ✓ **Attended SW Essential Course**

METHODOLOGY

Practical case study models using computers, lecturing, discussions and case studies

DURATION – ½ DAY

PETALING JAYA

22A, Jalan PJS 1/46
46150 Petaling Jaya
Selangor
Tel: + 60 3 – 7783 6866
Fax: + 60 3 – 7781 1185

PERAK

63, Jalan Perindustrian Siliabin 1
Kawasan Perindustrian Siliabin
30100 Ipoh, Perak
Tel: + 60 5 – 527 3133
Fax: + 60 5 – 527 3163

PENANG

68A, Jalan Perai Jaya 4
13700 Prai
Penang
Tel: + 60 4 – 399 5571
Fax: + 60 4 – 399 5572

JOHOR

11-A, Jalan Jati 2, Taman Nusa
Bestari Jaya Bandar Nusa Jaya
81300 Skudai, Johor
Tel: + 60 7 – 512 7978
Fax: + 60 7 – 512 2162